

IRK® SERIES INTELLIGENT REDUNDANT KIT 16W-500W KU-BAND, 20W-400W C-BAND BUC/SSPA 1:1 REDUNDANT SYSTEM

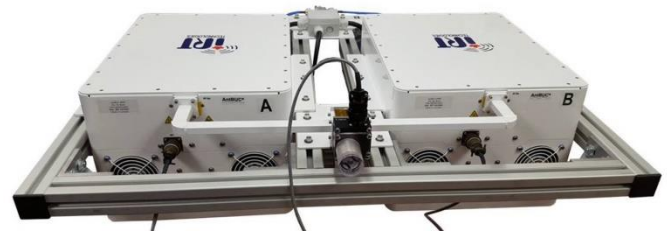
OVERVIEW

The IRT Technologies IRK® Series (Intelligent Redundant Kit) 16W-500W Ku-Band / 20W-400W C-Band 1:1 redundancy system is light weight and super-compact due to revolutionary small size IRT BUCs/SSPAs equipped with intelligent built in redundancy controller that's why IRK® systems does not require an external redundancy controller; means there is no single point failure in the redundant system and its reliability is much higher.

IRK® Series features extensive monitor & control via serial ports EIA232/EIA485 and Ethernet. The state of the art web browser provides the operator with comprehensive system management tool.

KEY FEATURES

- Eliminates External Redundancy Controller as a Single Point of Failure For the regular 1:1 system
- Easy BUC/PA unit's replacement without interruption of traffic
- Remote Control over RS-232, RS-485 and Ethernet.
- Built-in SNMP and Web Server
- Auto manual, Remote, Manual Override Operational Modes
- In hot standby max attenuation is applied to a standby BUC/SSPA to reduce power consumption and to improve life time;
- BUC A/B Gain Equalization Feature
- Manual Switch-Over Button
- Indoor 1RU Remote Control Unit Optional



5580 Boulevard Thimens
Saint Laurent, QC
Canada H4R 2K9
+1-514-907-1161
www.irttechnologies.com

Canada (Headquarters)
sales@irttechnologies.com

USA
usa_sales@irttechnologies.com

Europe
europa_sales@irttechnologies.com

Asia Pacific
asia_sales@irttechnologies.com

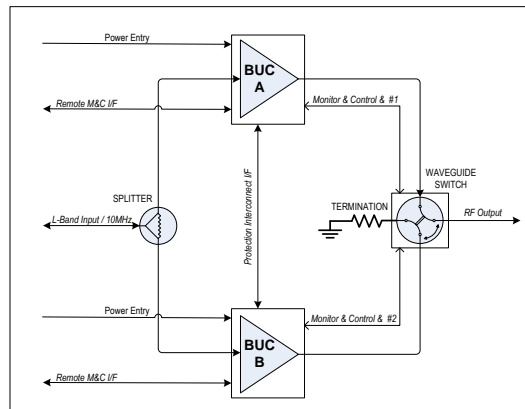
IRK® SERIES KU / C-BANDS BUC/SSPA 1:1 REDUNDANT SYSTEM

IF/RF CHARACTERISTICS	
IF Frequency Range:	950-1525MHz / 950-1700MHz
RF Frequency	5085-6.425GHz / 13.75-14.5GHz
Return Loss at IF In Port	-14dB max
Return Loss at RF Out Port	-16dB max
Output Power	Up to 500W at P _{SAT}
Input IF port Impedance	50Ohm
POWER	
AC Option	90-265VAC 50-60Hz to each BUC/SSPA
DC Option	36-55 VDC Isolated to each BUC/SSPA
INTERFACES	
IF IN (L-Band and 10MHz)	N-type female
RF Out	CPR137/WR75Grooved
User Interface	MS3112E14-19S

MONITOR & CONTROL FEATURES	
Controls:	
Online/Stand By Toggle	Via Serial, Ethernet
Mute Control	Via Serial, Ethernet
Gain Control	Via Serial, Ethernet
Gain equalization offset	Via Serial, Ethernet
Hot standby/Cold Standby	Via Serial, Ethernet
Indicators:	
Active/Stand by status	Via Serial, Ethernet
Mute Status	Via Serial, Ethernet
Switch Position	Via Serial, Ethernet, LED
BUC A/B full telemetry	Via Serial, Ethernet
Alarm A/B details	Via Serial, Ethernet

IRT Part Number	Power, Watt
C-BAND	
IRK-CB00490-HM10	20W to 80W
IRK-CB00500-HM10	100W
IRK-CB00530-HM10	150W to 200W
IRK-CB00560-HM10	300W to 400W
KU-BAND	
IRK-KXB0480-HM10	16W to 60W
IRK-KXB0510-HM10	80W to 125W
IRK-KXB0530-HM10	150W to 200W
IRK-KXB0570-HM10	300W to 500W

1:1 Redundancy Solution



*Contact IRT for exact part number per configuration
 **Specifications are subject to change without prior notice

Rev. 12

5580 Boulevard Thimens
 Saint Laurent, QC
 Canada H4R 2K9
 +1-514-907-1161
 www.irttechnologies.com

Canada (Headquarters)
 sales@irttechnologies.com

USA
 usa_sales@irttechnologies.com

Europe
 europe_sales@irttechnologies.com

Asia Pacific
 asia_sales@irttechnologies.com

